

MINIMAL WINDOW SYSTEMS

S54 C | SLIDING TRIPLE GLAZING

TECHNICAL INFORMATION

TECHNICAL DETAILS



Sliding

S54 C

BRANA

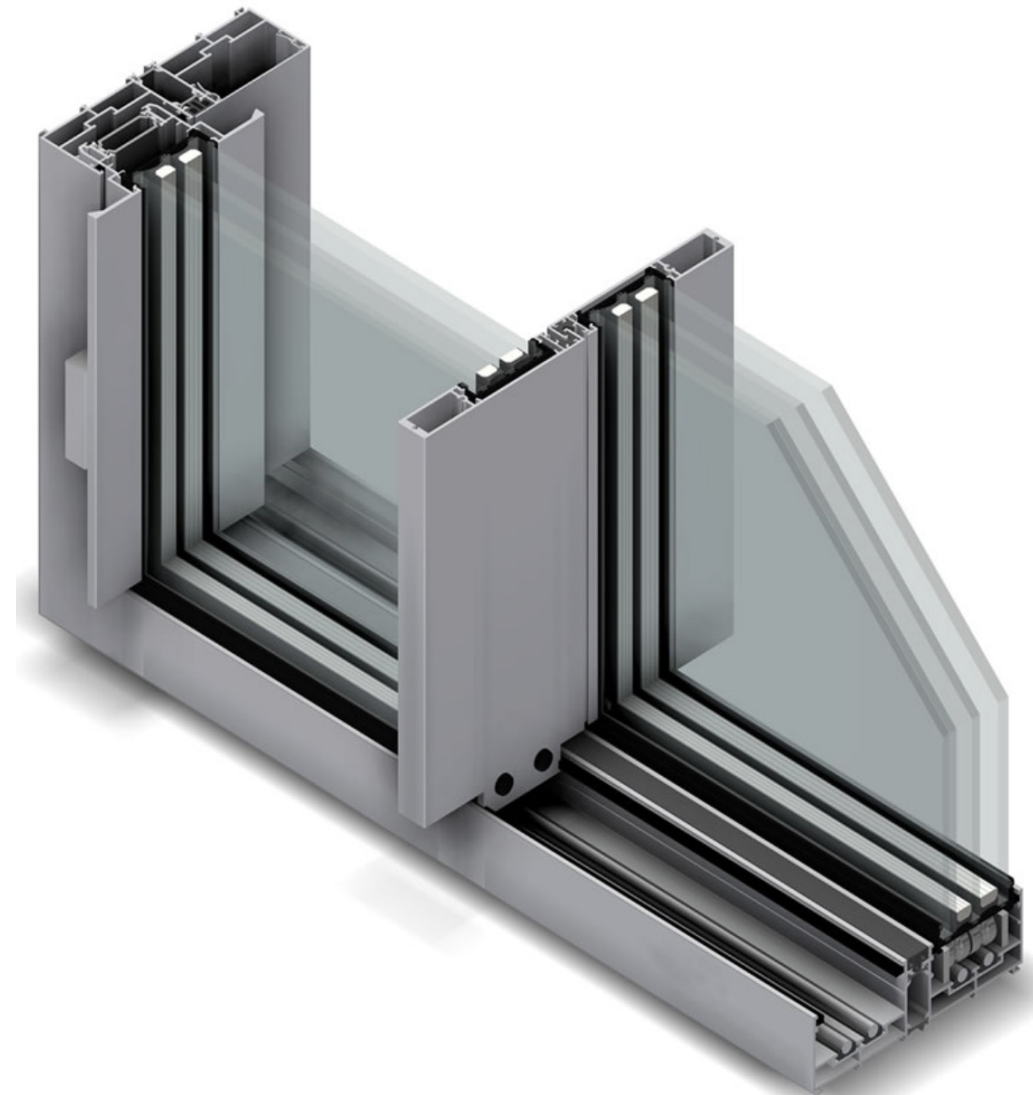
Technical Information

MAIN FEATURES

Maximum Weight (leaf): 1000 kg
Maximum Height (leaf): 6000 mm
Maximum Area (leaf): 18 m²
Glass Thickness: 50 mm / 54 mm
Motorization (leaf): 1 - 4 (sinco)

TEST RESULT

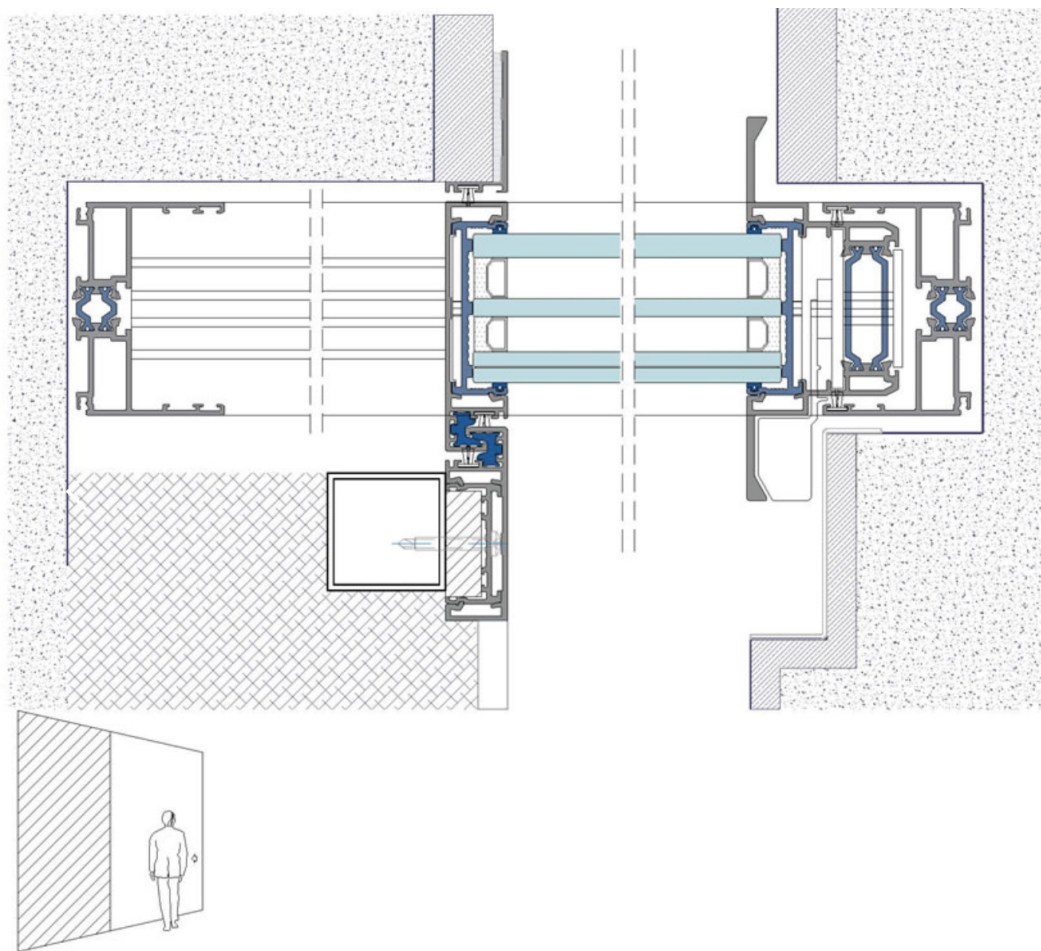
Thermal Insulation: 0,8 - 1,2 (w/m²k)
Acoustic Isolation: até 41 db
Air Permeability: classe 4
Waterproofing: classe 7a
Wind Resistance: classe b4



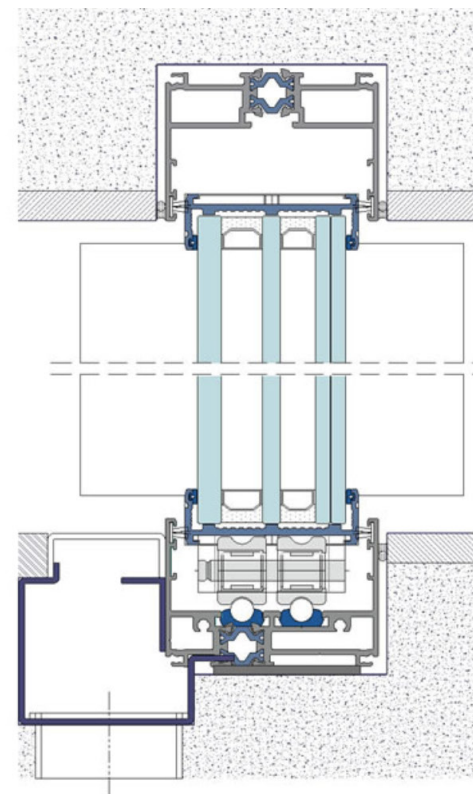


S54 C

1 PANEL SLIDING DOOR INTO A POCKET-MONORAIL



Technical Details

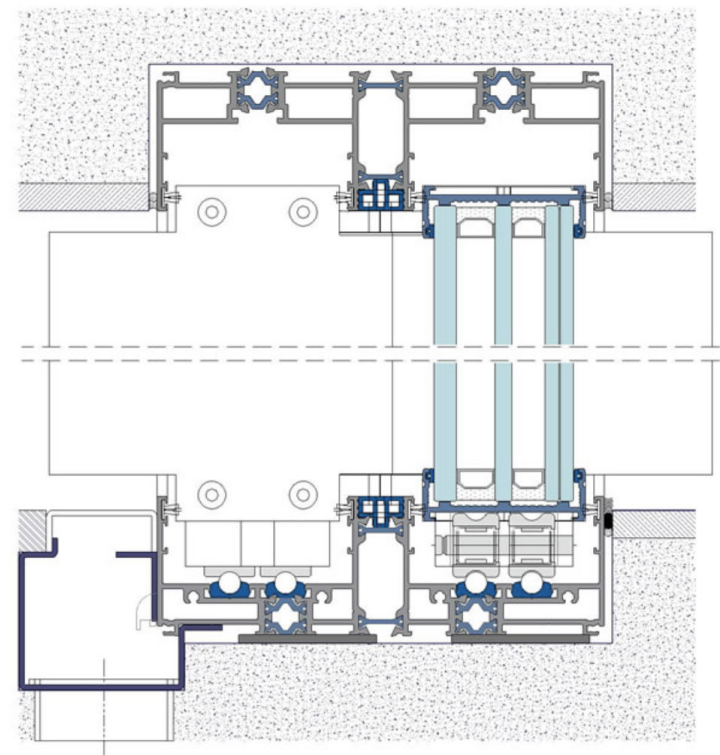
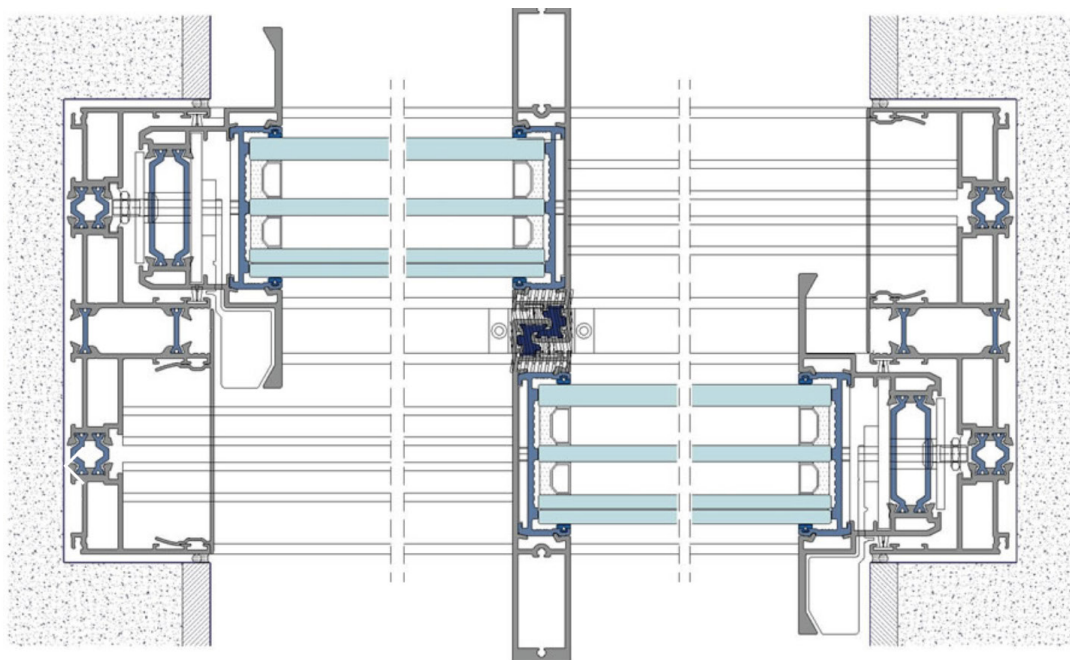


S54 C | SLIDING DOORS ON BI-RAIL

NON INVISIBLE SYSTEM

DOUBLE OR TRIPLE GLAZING AVAILABLE

Technical Details

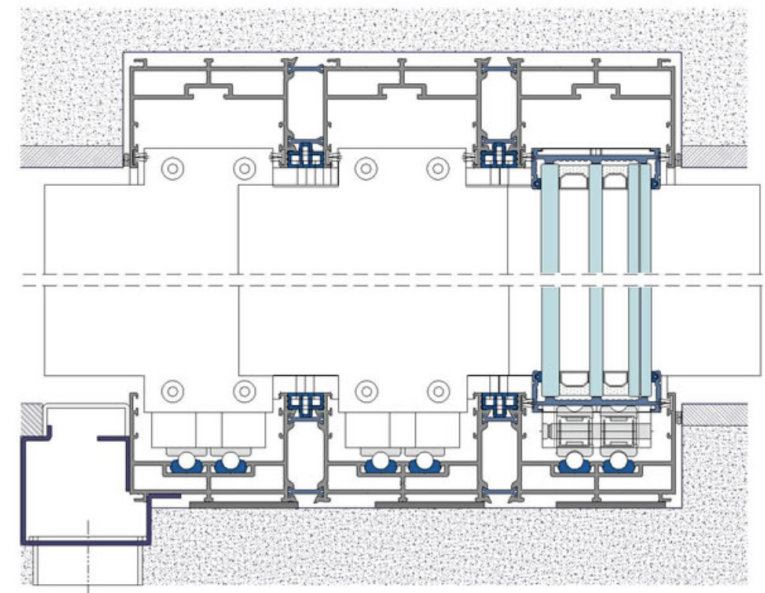
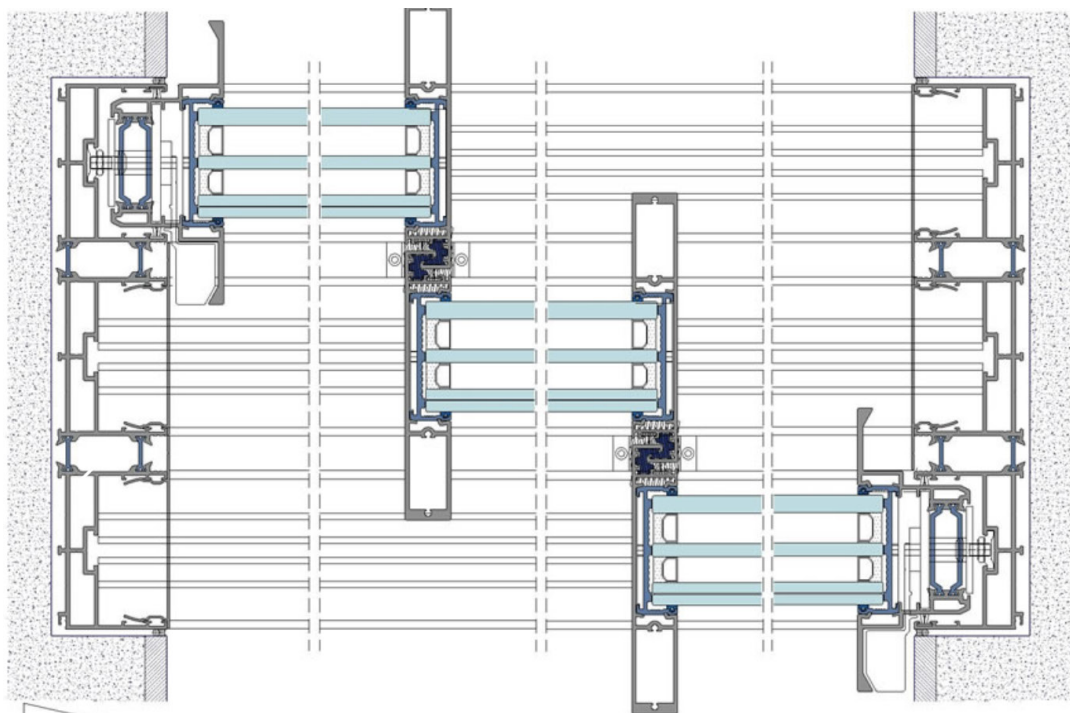


S54 C | 3 SLIDING DOORS ON A TRI-RAIL

NON INVISIBLE SYSTEM

DOUBLE OR TRIPLE GLAZING AVAILABLE

Technical Details



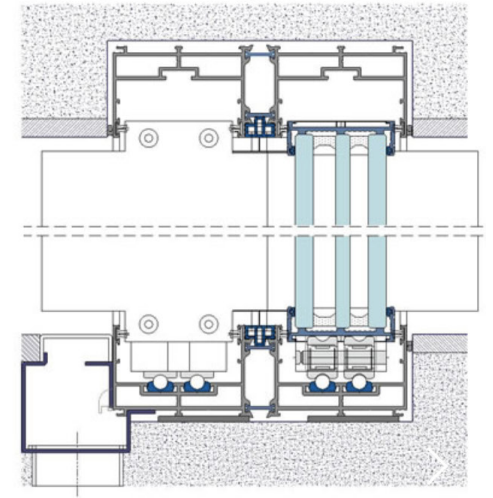
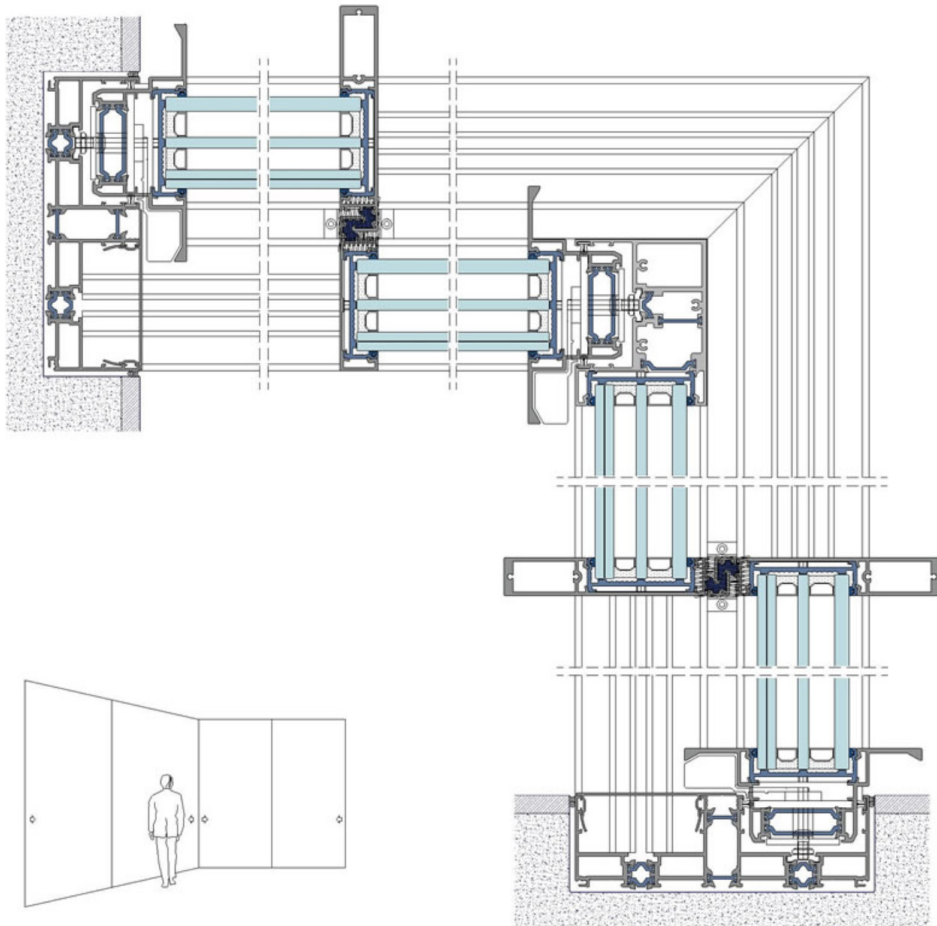
S54 C | OPEN CORNER

NON INVISIBLE SYSTEM

MULTIPLE SLIDING DOOR CONFIGURATION

DOUBLE OR TRIPLE GLAZING AVAILABLE

Technical Details



Sliding



MINIMAL WINDOW SYSTEMS

S54 INVISIBLE TRACK

TECHNICAL INFORMATION

TECHNICAL DETAILS



Sliding

S54 INV

BRAVA

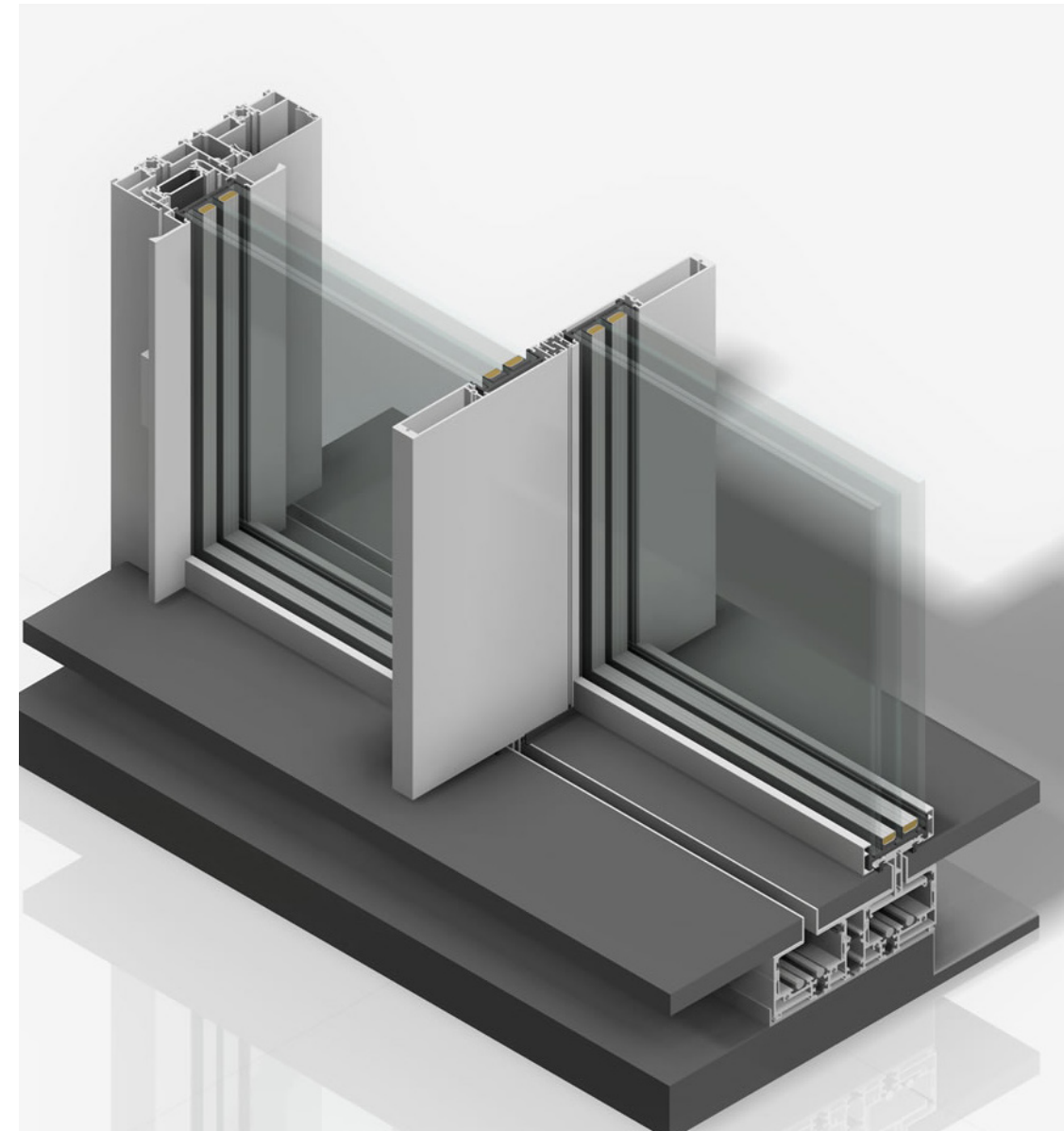
Technical Information

MAIN FEATURES

Maximum Weight (leaf): 1000 kg
Maximum Height (leaf): 6000 mm
Maximum Area (leaf): 18 m²
Glass Thickness: 50 mm / 54 mm
Motorization (leaf): 1 - 4 (sinco)

TEST RESULT

Thermal Insulation: 0,8 - 1,2 (w/m²k)
Acoustic Isolation: até 41 db
Air Permeability: classe 4
Waterproofing: classe 7a
Wind Resistance: classe b4



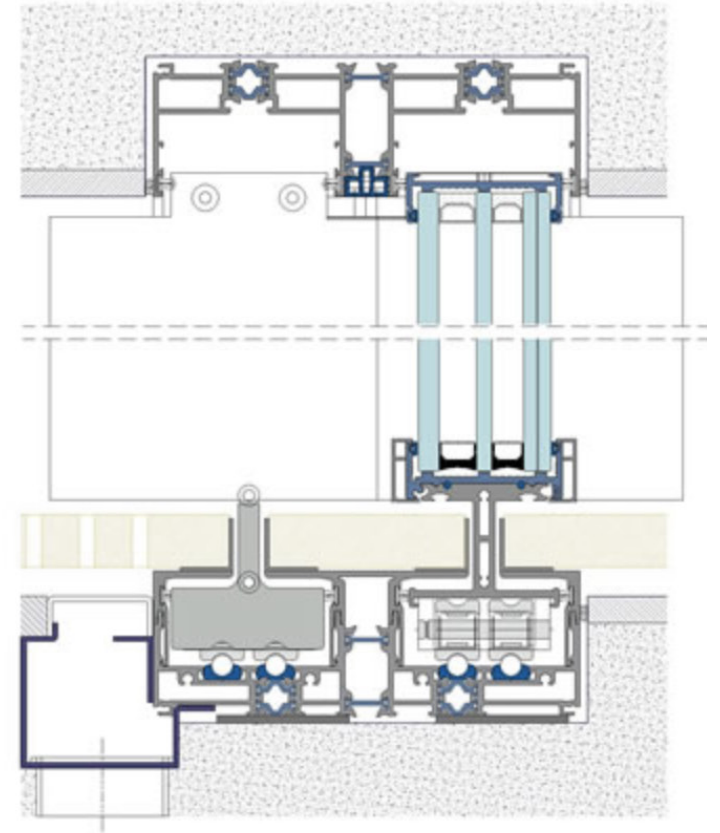
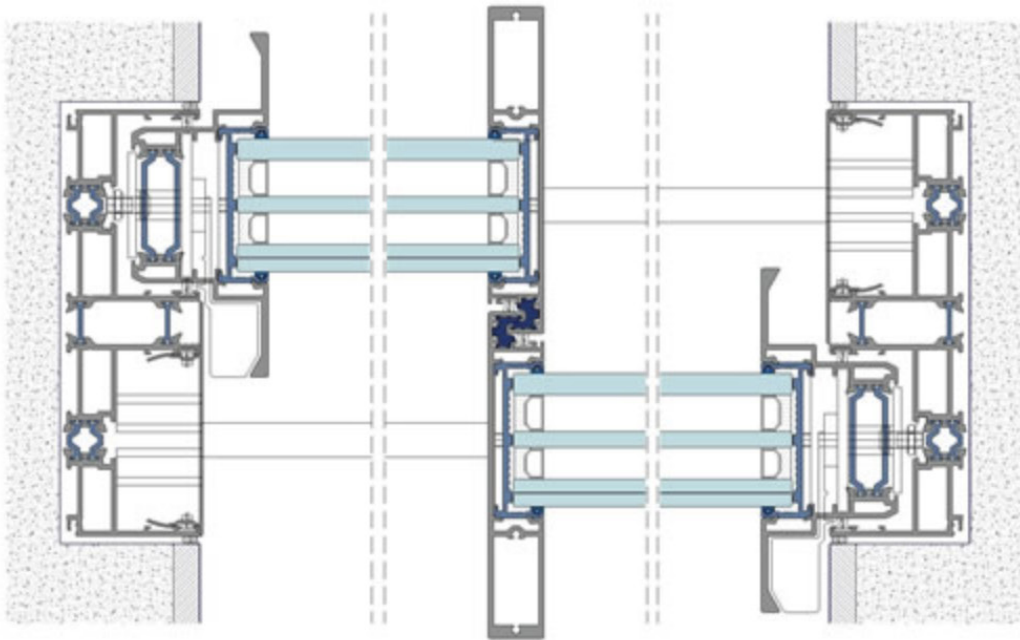
Sliding Invisible System



S54 INV

2 SLIDING PANELS ON A BI-RAIL

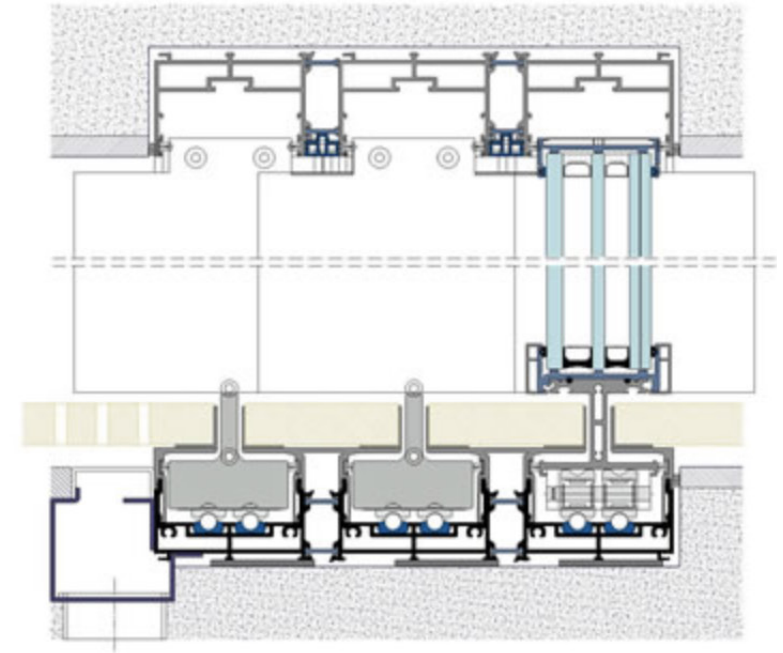
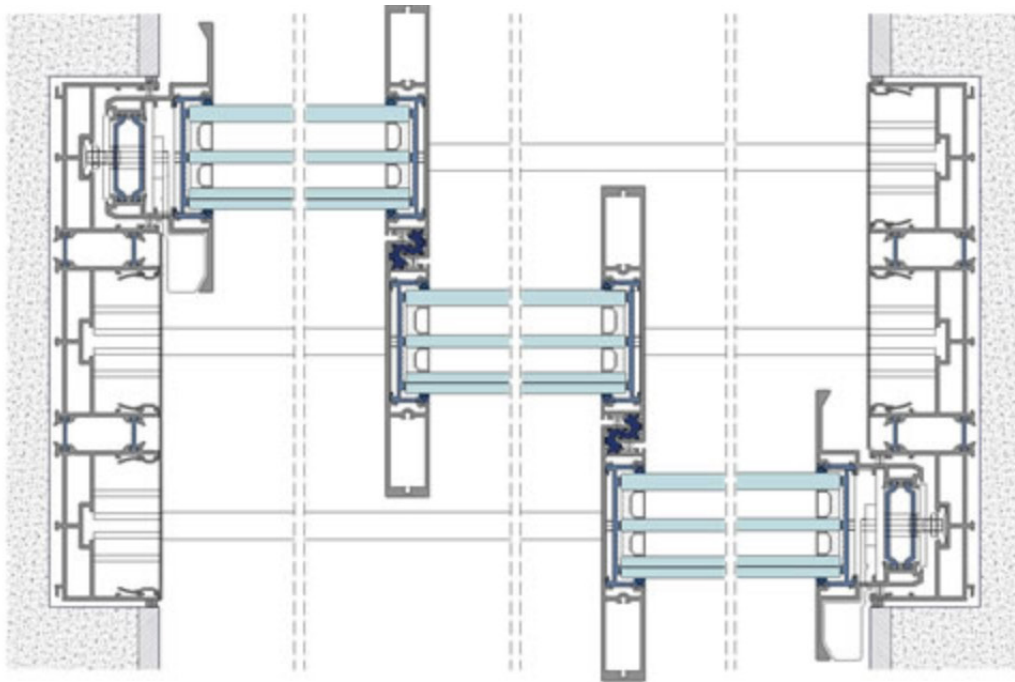
Technical Details

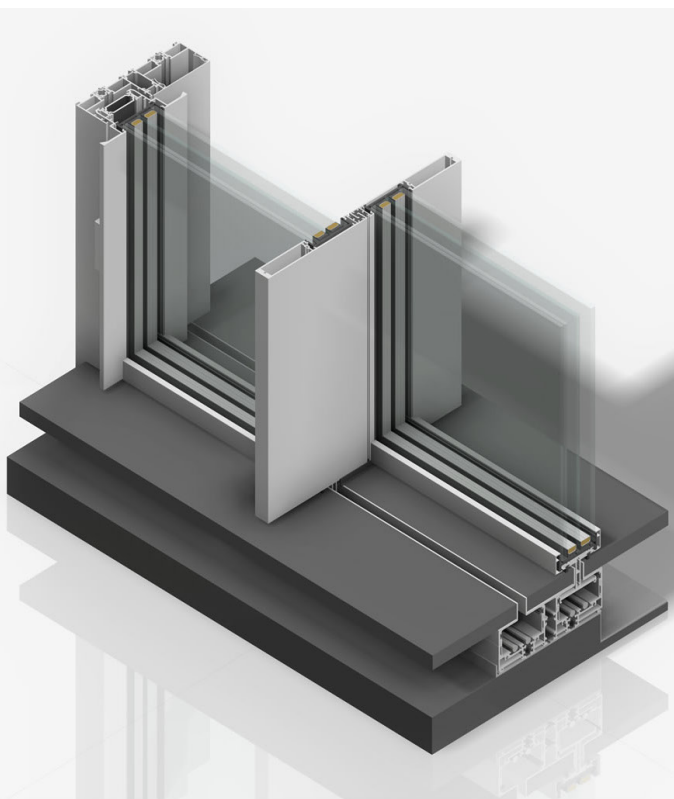


S54 INV

3 SLIDING PANELS ON A TRI-RAIL

Technical Details





MINIMAL WINDOW SYSTEMS

S36 C | SLIDING DOBLE GLAZING

TECHNICAL INFORMATION

TECHNICAL DETAILS



Sliding

S36 C

BRAVA

Technical Information

MAIN FEATURES

Maximum Weight (leaf): 600 kg
Maximum Height (leaf): 5000 mm
Maximum Area (leaf): 12 m²
Glass Thickness: 32 mm / 36 mm
Motorization (leaf): 1 - 4 (sinco)

TEST RESULT

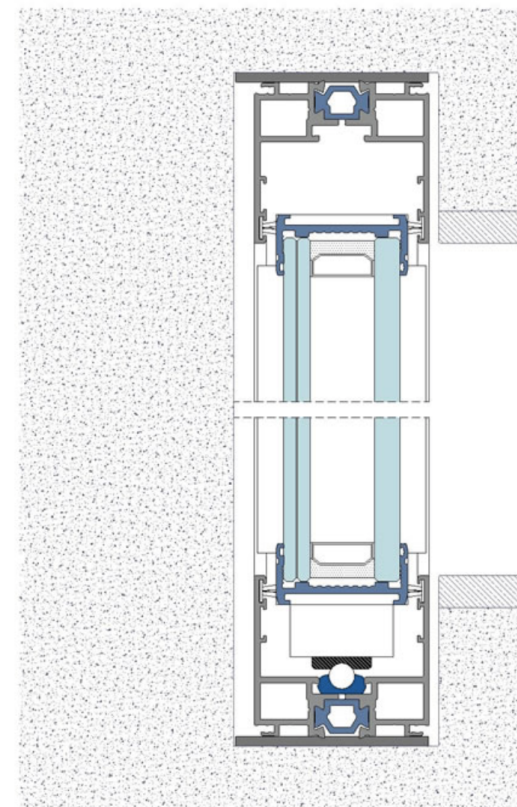
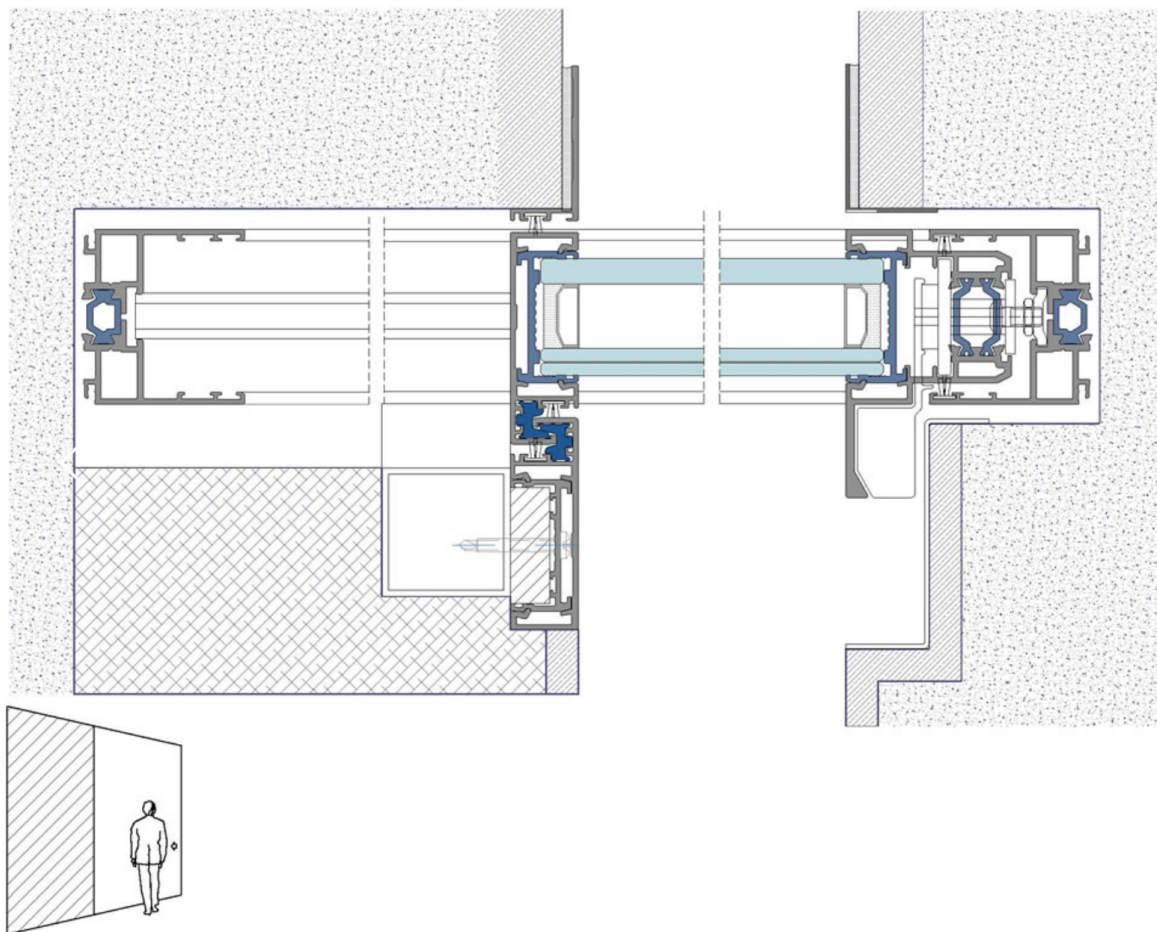
Thermal Insulation: 1,0 - 1,7 (w/m²k)
Acoustic Isolation: 41 db
Air Permeability: classe 4
Waterproofing: classe 7a
Wind Resistance: classe b4



S36 C

1 SLIDING PANEL ON A MONORAIL

Technical Details

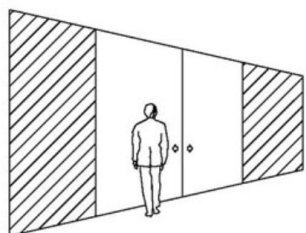
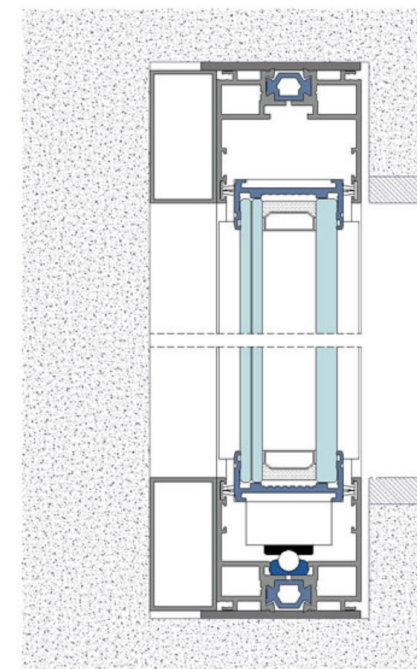
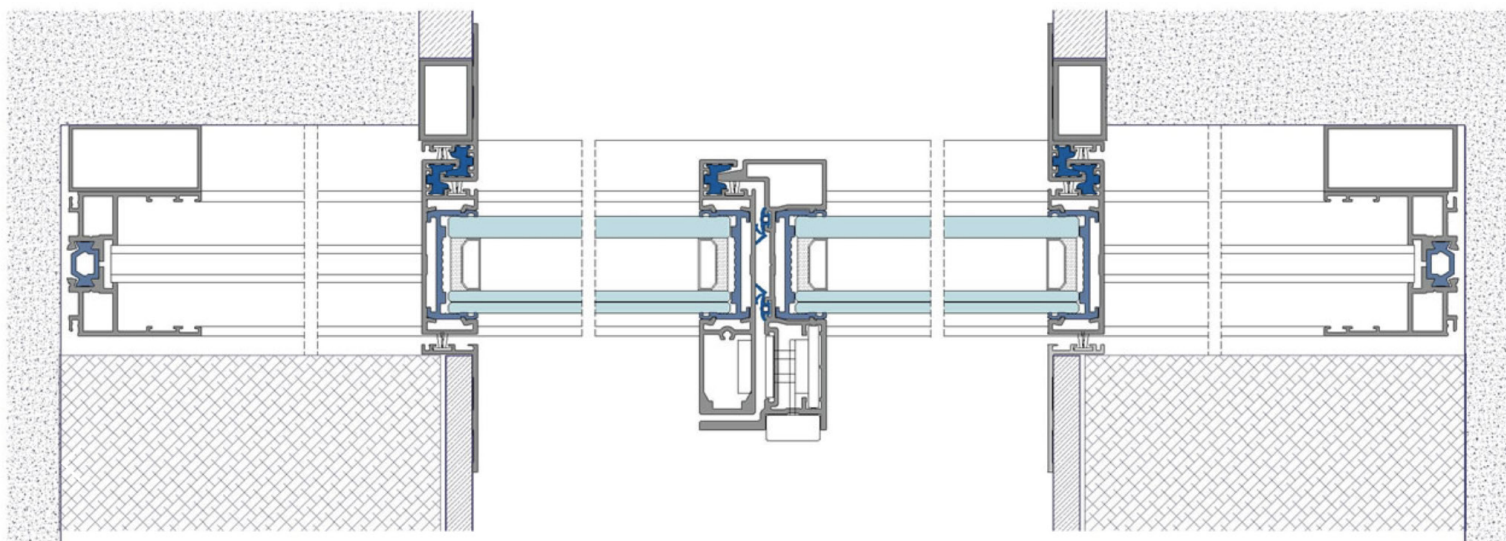


S36 C

2 SLIDING PANELS ON A MONORAIL

SLIDING INTO POCKETS

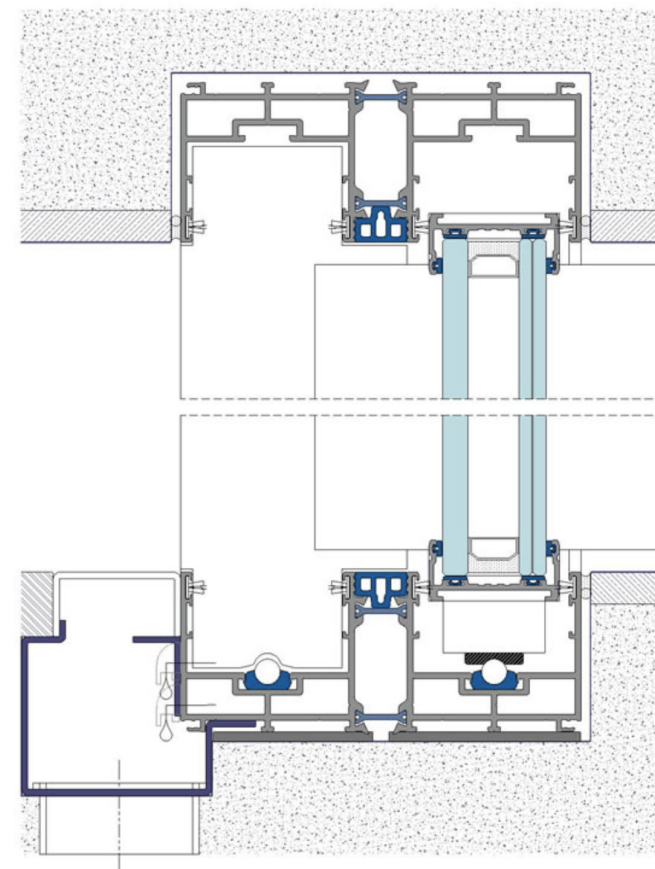
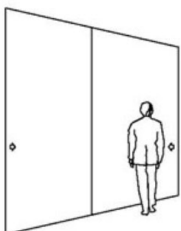
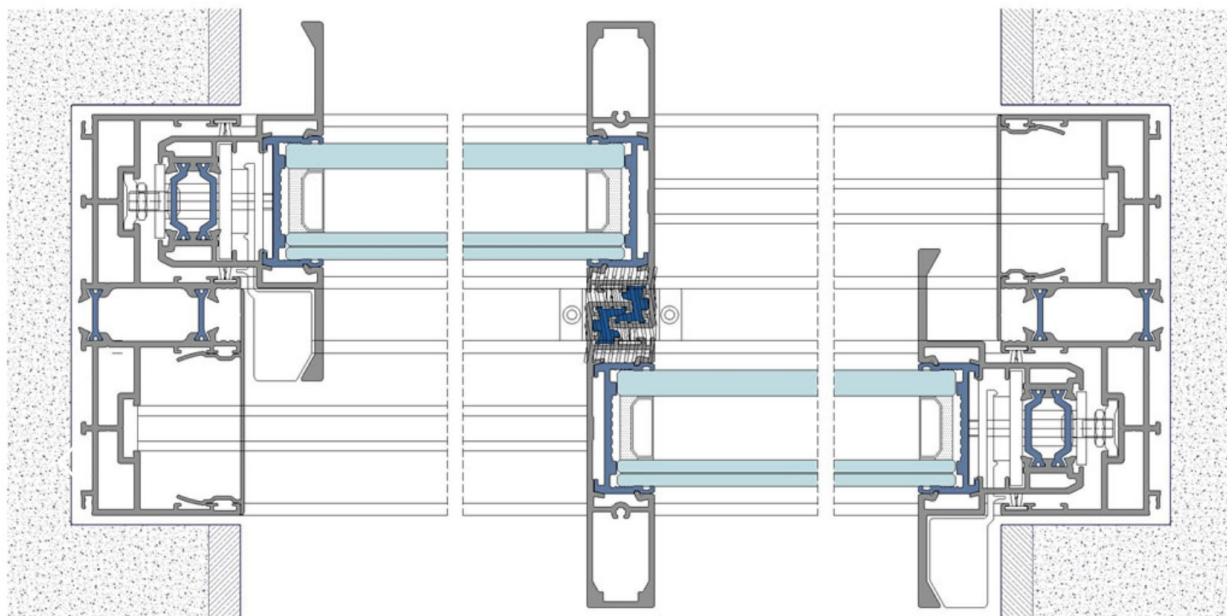
Technical Details



S36 C

2 SLIDING PANELS ON A BI-RAIL

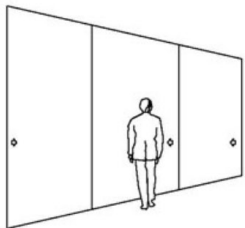
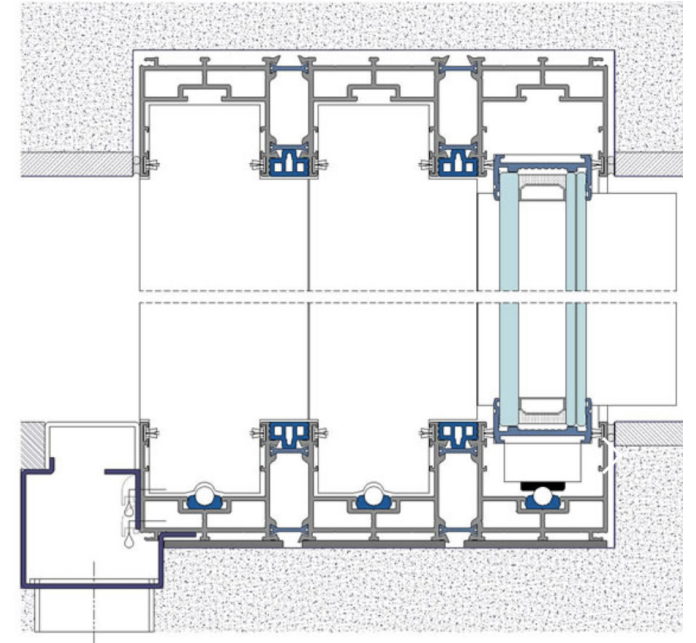
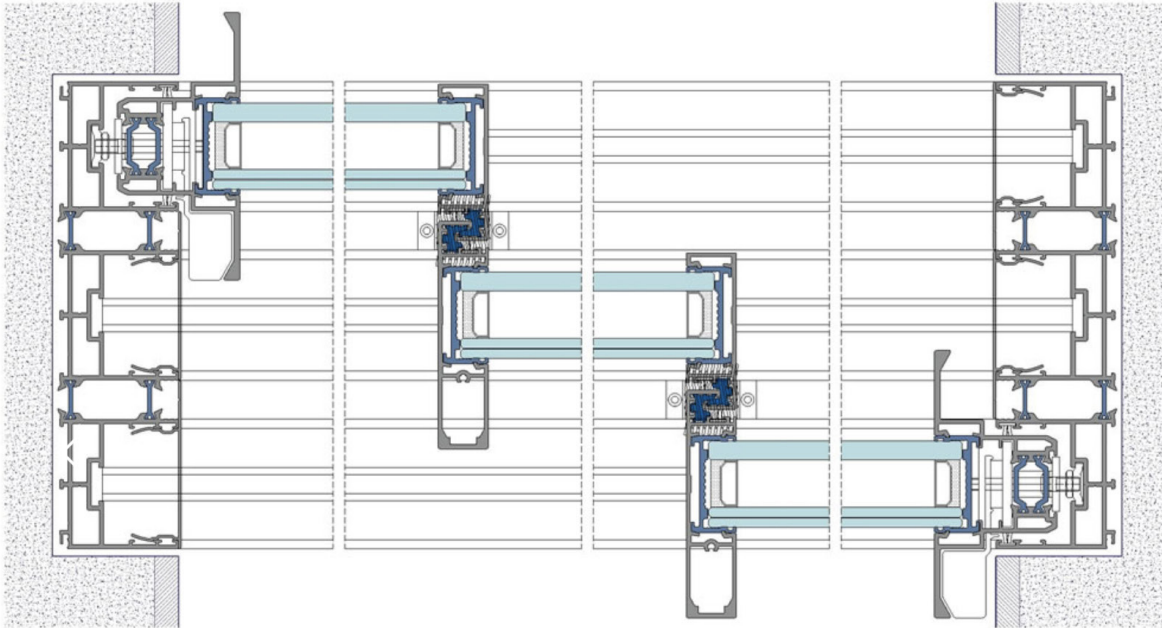
Technical Details



S36 C

3 SLIDING PANELS ON A TRI-RAIL

Technical Details



S36 C



S36 C

2 SLIDING PANELS ON A BI-RAIL



MINIMAL WINDOW SYSTEMS

BRAVA

MINIMAL WINDOW SYSTEMS

S36 INV | INVISIBLE TRACK

TECHNICAL INFORMATION

TECHNICAL DETAILS



Sliding

S36 INV

BRAVA

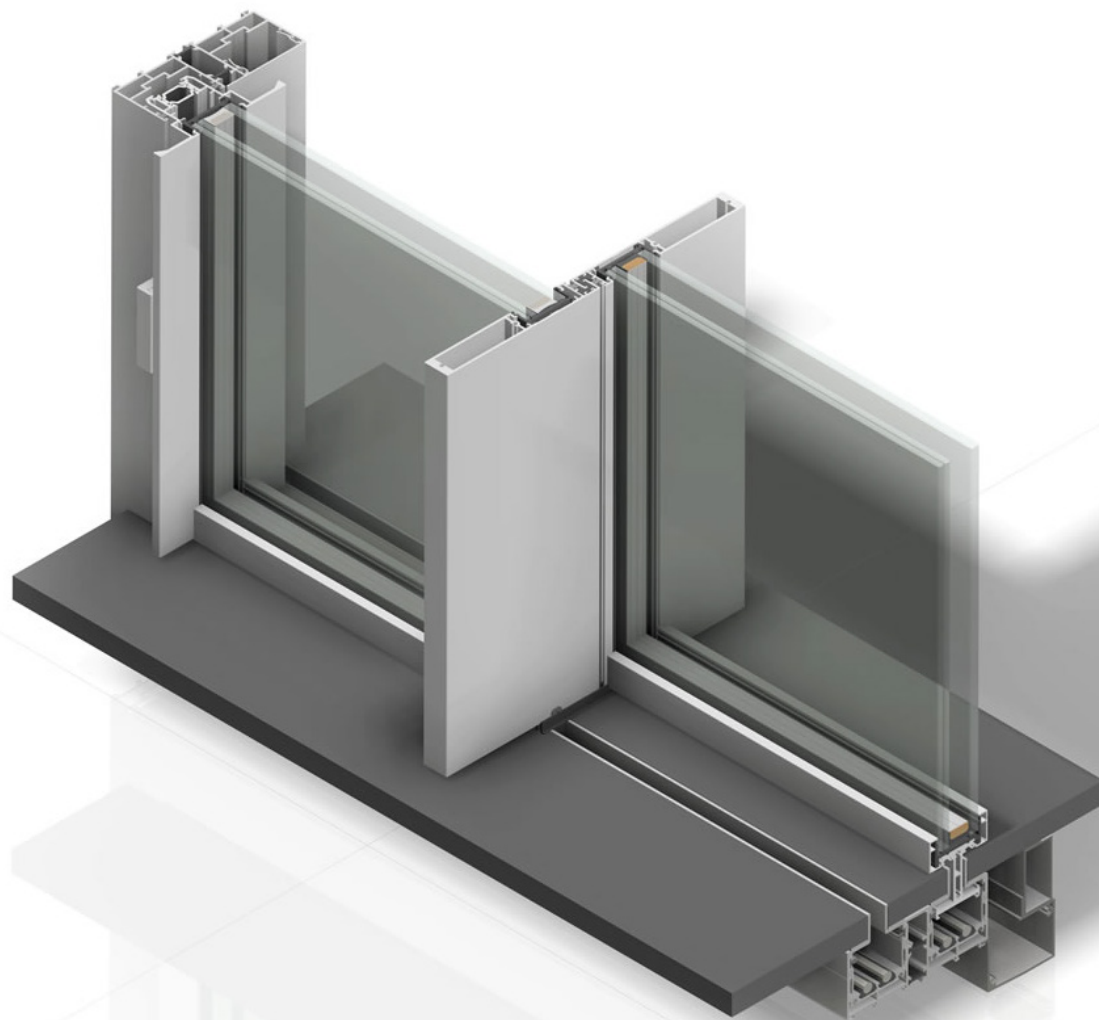
Technical Information

MAIN FEATURES

Maximum Weight (leaf): 600 kg
Maximum Height (leaf): 5000 mm
Maximum Area (leaf): 12 m²
Glass Thickness: 32 mm / 36 mm
Motorization (leaf): 1 - 4 (sinco)

TEST RESULT

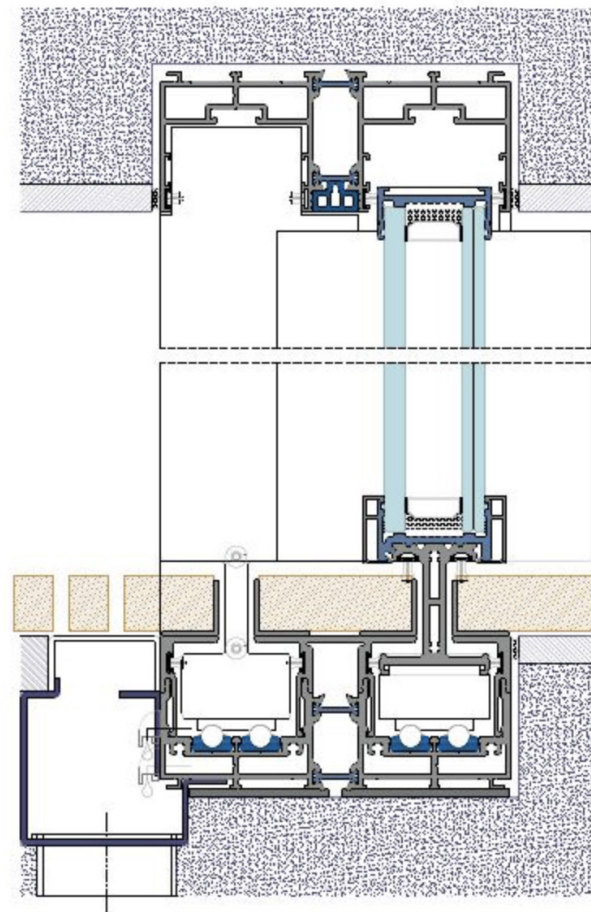
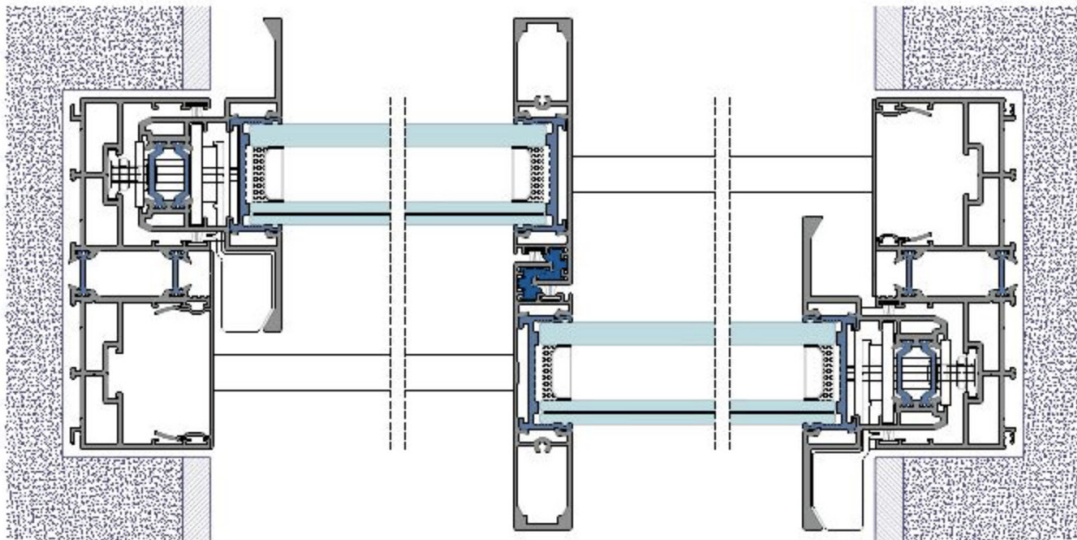
Thermal Insulation: 1,0 - 1,7 (w/m²k)
Acoustic Isolation: 41 db
Air Permeability: classe 4
Waterproofing: classe 7a
Wind Resistance: classe b4



S36 INV

2 SLIDING PANELS ON A BI-RAIL

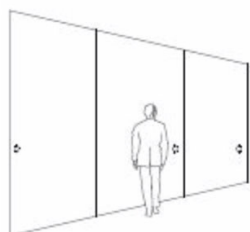
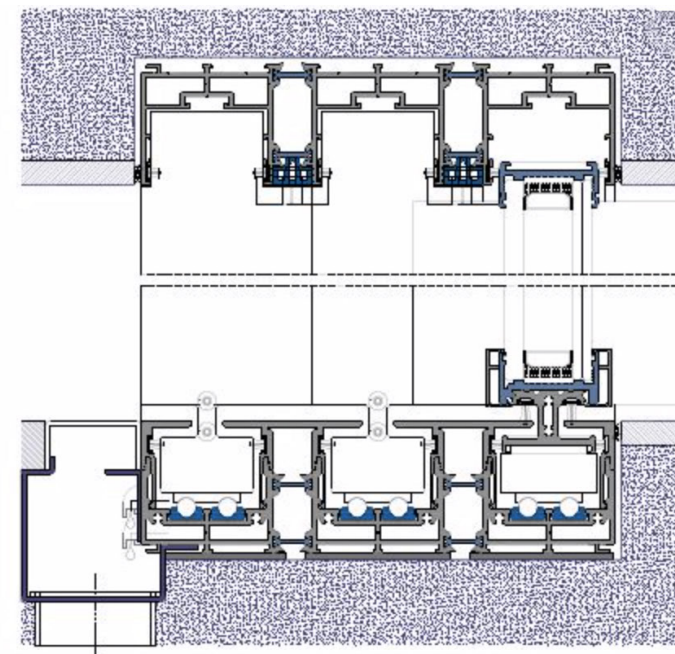
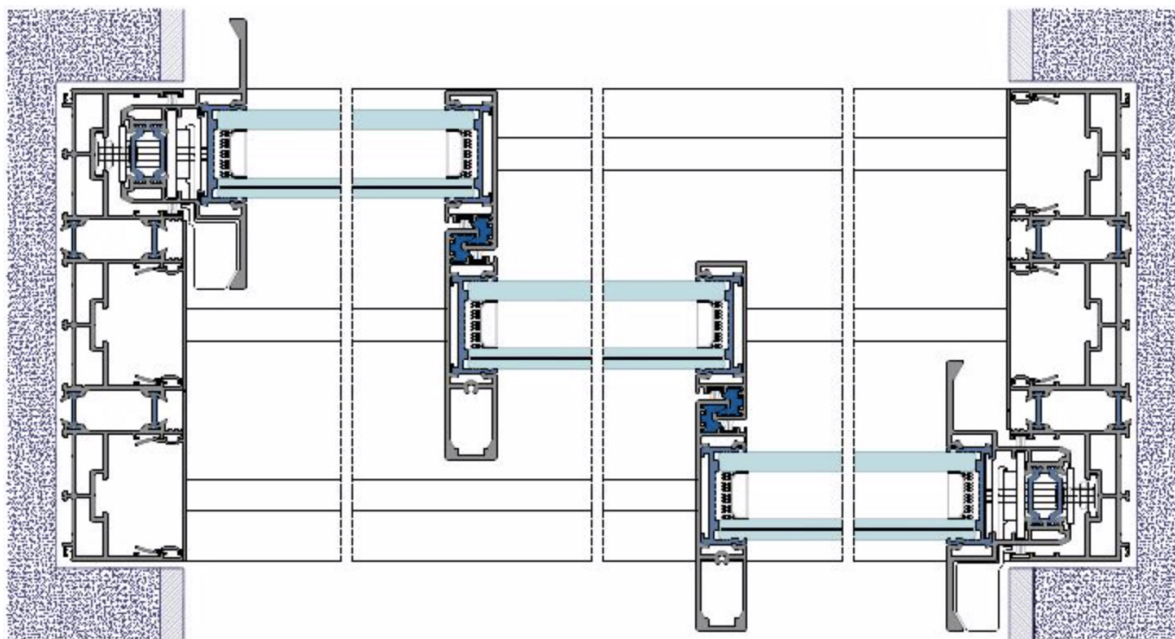
Technical Details



S36 INV

3 SLIDING PANELS ON A TRI-RAIL

Technical Details

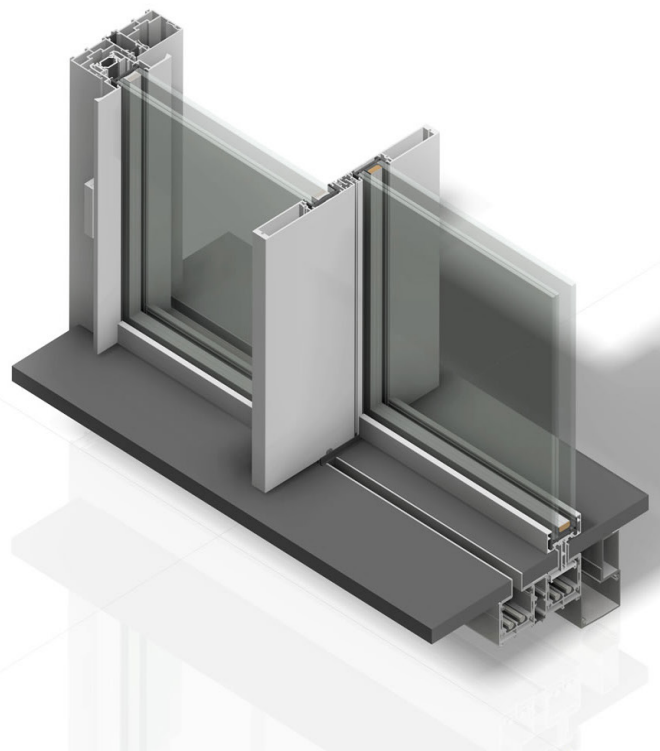


S36 INV



S36 INV

SLIDING SYSTEM INVISIBLE TRACK



MINIMAL WINDOW SYSTEMS

BRAVA



BRAVA